

NORMBAU

PASSION FOR CARE

Inox Care Lift-up support rail 2050050 vario, suspendable, L = 850mm, with base plate

Lift up support rail vario with base plate,
length 850mm, 32mm dia.,
made of stainless steel, material No. 1.4301 (A2 AISI 304), brushed finish, left
or right hand application, space required in vertical position 193mm from wall,
with adjustable brake, easy installation by mounting to a base plate.

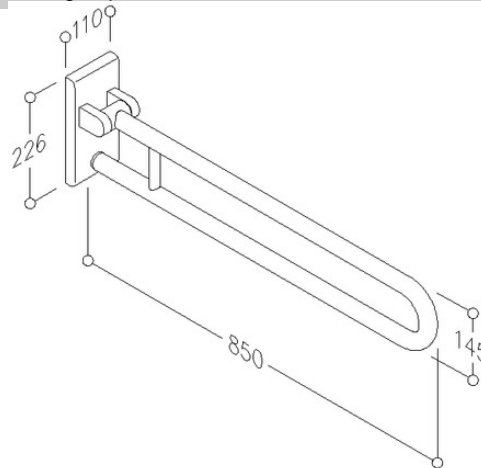
Base plate, made of stainless steel for balanced wall mounting, concealed
screw fixing, supplied without fixing screws and plugs, conform to German
standard DIN 18040 1-2, maximum loading permitted: 125 kgs.

850mm length conform to German standard DIN 18040-1/2, Austrian standard
ÖNORM B1600.

TÜV PRODUKT SERVICE certified.

Select appropriate fixing material to suit site conditions. Can be fitted with
paper roll holder 2050 300 may be added at a later stage.

| | |
|---------------|---------|
| Product code | 2050050 |
| Product group | 5500 |



NORMBAU GmbH
Schwarzwaldstraße 15
77871 Renchen/Germany
Telefon +49(0)7843 / 704 - 0
Telefax +49(0)7843 / 704 - 43
www.normbau.de | normbau@allegion.com

